

23-24

Vll.a.



COLONIAL

Intermediate Unit 20

Dedicated to your children and the people who serve them

6 Denton Drive
Easton PA 18045-7899
p 610-392-5350
f 610-252-9740
www.ciu20.org

Aug 22, 2023

Renewal of Discovery Education Services (DEX) for 2023-24 School Year

East Stroudsburg Area SD
William Vitulli
william-vitulli@esasd.net
50 Vine Street
East Stroudsburg, PA 18301
570-424-8060

	\$1.65 per student
Discovery Education Experience (DEX)	\$550.00 minimum per building

*Cost Per Student \$.825

- HSN: 932
- HSS: 1304
- LEH: 575
- JTL: 904
- BES: 391
- RES: 392
- MSE: 377
- ESE: 574
- JMH: 436
- SME: 296

Minimum: \$550.00 per building: 1 building @ \$550.00 /
5,885 @\$1.65 = \$9,710.25

Total Cost \$10,260.25

Total Billed to East Stroudsburg School District: \$5,130.125



Vll.b.



Quotation

Quote Date: 10/02/2023
Customer No.: 03008

Quote No.: 48496
Salesperson: Mike Hartzell Service

Quote To: East Stroudsburg Area School District
Business Office Attn: A/P
50 Vine Street
East Stroudsburg, PA 18301

Ship To: East Stroudsburg Area School District
High School South
279 N. Courtland St.
East Stroudsburg, PA 18301

Ship Via		F.O.B.		Terms	
BEST WAY		Origin		Net 30	
Item Number	Description	Quantity	Unit Price	Amount	
HT-EXC-100	EXC-100 Binocular Microscope	30	595.00	17850.00	

- LED illumination
- Coaxial focus assembly
- 10X 18 eyepieces, one with pointer
- 4X, 10X, 40X, 100X Oil Achromat objectives
- Condenser with aperture
- Rackless mechanical stage w/scale
- Carrying handle
- Rechargeable AA 1300mAh Batteries

Includes setup

Discount 10% -1785.00

Delivery via ABF Freight

Quotation valid for 30 days from issue date

Credit card payments in excess of \$1000 are subject to 3.5% transaction fee.

QUOTE SUBTOTAL:	16065.00
FREIGHT CHARGES:	400.00
QUOTE TOTAL:	16465.00

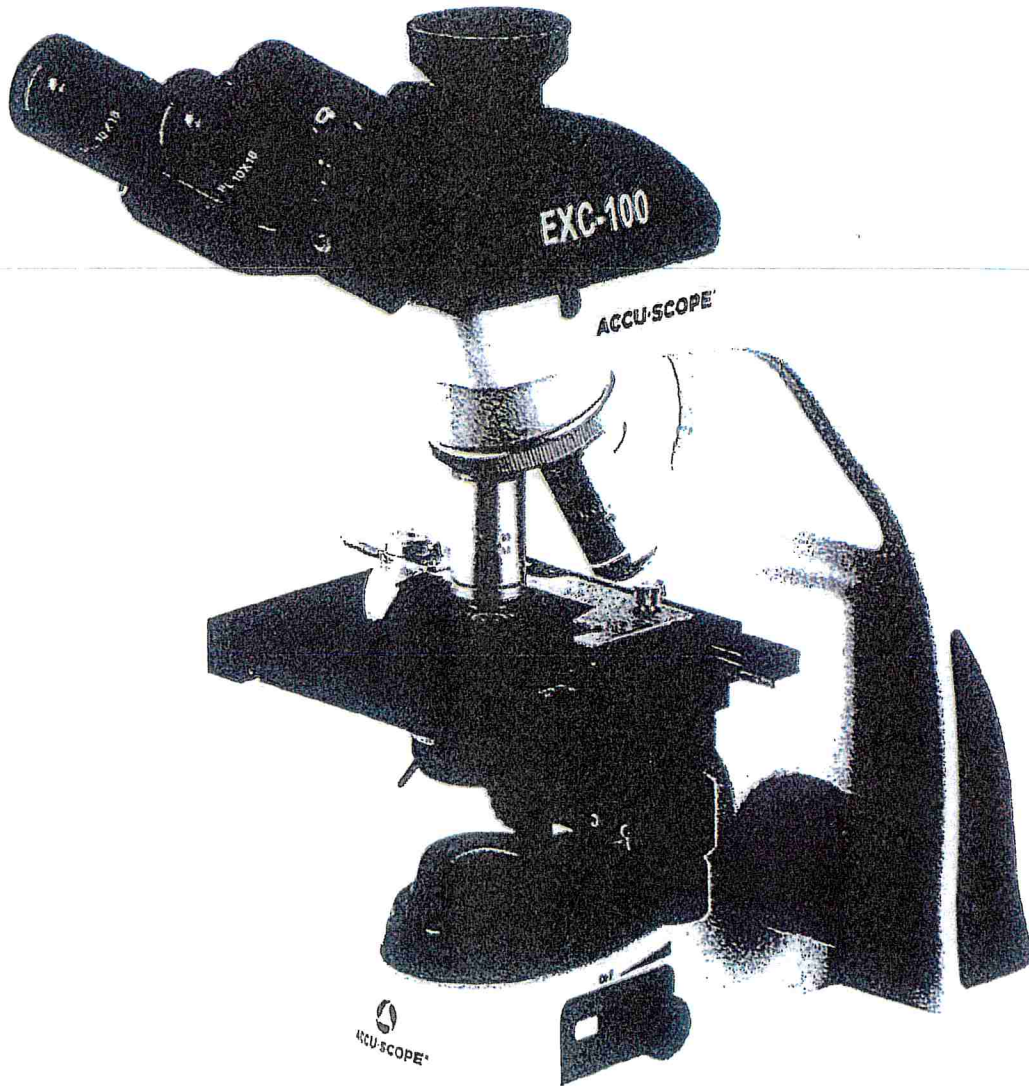
Signature: Mike Hartzell Service



ACCU-SCOPE®

MICROSCOPY & IMAGING SOLUTIONS

EXC-100 Series
Student Microscopes



EXC-103 trinocular
microscope

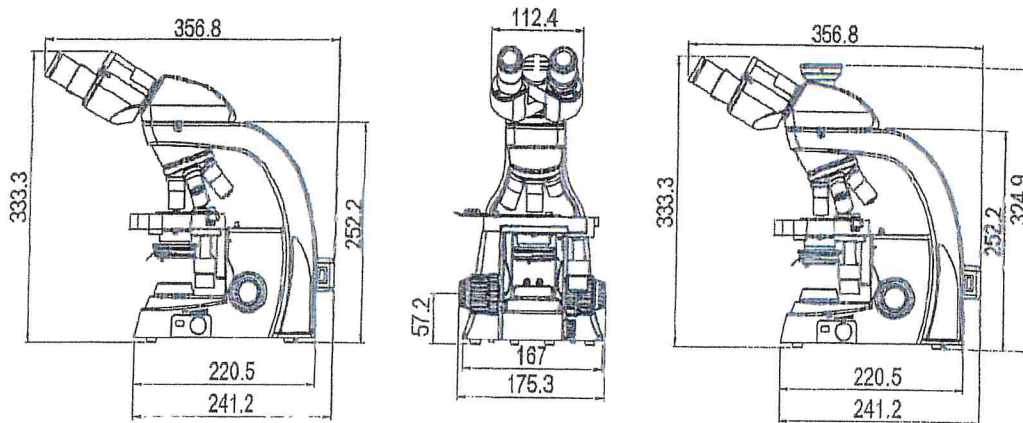
Empowering Discovery. Advancing Results.

EXC-100 Student Microscopes

SPECIFICATIONS

Viewing Head	EXC-100: Binocular, Inclined 30°, rotatable 360°, adjustable interpupillary distance 50-75mm, right diopter adjustment; EXC-103: Trinocular, inclined 30°, rotatable 360°, fixed 50/50 light split (eyepieces/photo port), adjustable interpupillary distance 50-75mm, right diopter adjustment
Optical System	DIN Optical System, f = 160mm
Objectives	DIN Achromat 4x, 10x, 40xR* and 100xR* oil objectives (* spring loaded)
Eyepiece	WF10x eyepiece, 18mm field of view, pointer in one eyepiece
Nosepiece	Rear-facing, 4-position nosepiece with positive click stops to ensure objective alignment
Focusing System	Coaxial coarse and fine focus, focus tension adjustment; focus travel stop
Stage	Double-layer mechanical stage, right side XY controllers, 115x125mm, slide holder
Condenser	N.A. 1.25 condenser, iris diaphragm, filter holder
Illumination	Variable and rechargeable* 0.2W LED Illuminator (*requires three AA 1300mAh 1.2V NiMH batteries, included)
Stand	Cast aluminum alloy with built-in carry handle and power cord wrap
Power	Universal power supply (built-in); Input 100-240VAC, output 5V 1A
Accessories	Instruction manual
Camera Adapters (EXC-103 only)	Optional: 0.35x, 0.5x, 0.65x and 1.0x C-mount camera adapters; Photo tube (requires camera adapter, not included)
Warranty	5-year limited warranty for parts, labor and electronic components; 1-year warranty on LED bulb

EXC-100 Series Dimensional Drawings



Dimensions in mm



Copyright © 2023 ACCU-SCOPE Inc. All rights reserved. Printed in the U.S.A. ACCU-SCOPE Inc. reserves the right to change and improve specifications without notice due to technological or manufacturing advances.



v031523

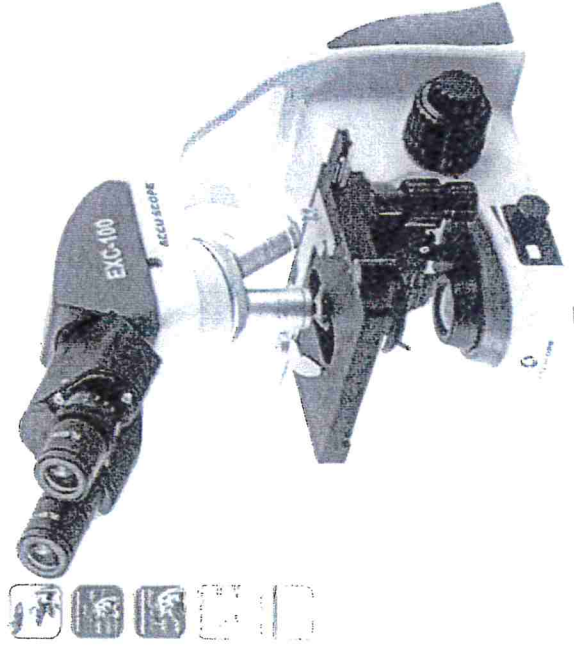
Delivering to East Str... 19201
View your Amazon account for more delivery options.

Electronics **Search Amazon**

- Camera & Photo
- Deals
- Best Sellers
- DSLR Cameras
- Mirrorless Cameras
- Lenses
- Point-and-Shoots
- Sports & Action Cameras
- Camcorders

AmScope AmScope - SM-4NTP 7X-45X Simul-Focal Stereo Lockable Zoom Microscope on Dual Arm Boom Stand

Electronics > Camera & Photo > Binoculars & Scopes > Microscopes > Compound Microscopes > Compound Binocular Microscopes



Roll over image to zoom in

Accu-Scope Compound Microscope EXC-1 Head, 40-1000X Magnification, Mechanic Achromat Objectives, Cordless LED Illumi

Visit the Accuscope Store

Search

\$599⁹⁹

Pay \$50.00/month for 12 months, interest-free upon appr

Light Source Type	LED
Material	Metal
Item Dimensions LxWxH	10 x 7.8 x 14.5 inches
Real Angle of View	30 Degrees
Magnification Maximum	1000 x

See more

About this item

- GREAT IMAGES** || Ideally suited for the classroom environment, the EXC-100 Microscope provides clear images during observation, with front lens surfaces that are flush and easy to clean. The achromat 4x, 10x, 40xR*, and 100xR* oil immersion DIN objectives provide 40X-1000X magnification. Variable LED control with Abbe condenser and iris diaphragm delivers bright, even illumination for excellent image contrast.
- ERGONOMIC** || Features a binocular head with interpupillary adjustment and low positioned coaxial focusing mechanism for complete ergonomic comfort to users during extended viewing periods
- CORDLESS & PORTABLE** || With rechargeable LED illumination, built-in carry handle, and cord wrap, this microscope is highly portable, allowing you to take it wherever you need
- DURABLE CONSTRUCTION** || The rugged, die-cast aluminum frame with all metal gears and anti-mold optics is designed for years of use
- GREAT FOR HIGHER EDUCATION** || Engineered for classroom applications, the EXM-100 Microscope is a great choice for high schools and college students

Add a Protection Plan:

- 2-Year Protection for \$49.99
- 3-Year Protection for \$64.99

Add to List

Have one to sell?

Sell on Amazon



[Home](#)

[Service](#)

[Sales](#)

[About](#)

My cart



Accu-Scope EXC-100 Series Student Microscope

\$16,200.00



\$540.00

Accu-Scope EXC-100 Series Microscope: Accu-Scope EXC-100 Binocular Stu...

- 30 +

[Enter a promo code](#)

[Add a note](#)

Subtotal

\$16,200.00

Delivery

FREE

Pennsylvania, United States

Total

\$16,200.00

[Secure Checkout](#)

Microscope Solutions, Inc., Holly Springs, NC | 800-231-7910
All Rights Reserved

Home / Educational Microscopes / Accu-Scope EXC-100 Series Student Microscope

< Prev Next >



Accu-Scope EXC-100 Series Student Microscope

\$540.00

Accu-Scope EXC-100 Series Microscope

Select

Quantity

1



No set-up



M. microscope solutions

Microscope EXC-100 - Binocular Head, 40-1000X Magnification, Achromat Objectives, Mechanical Stage, Iris Diaphragm, Cordless LED Illumination

SKU ACCEXC100 by Accu-Scope

Low Stock - 2 Remaining

Expected to Ship Today

\$599.99

For volume discounts,
Call (585) 360-2295 or

- +

[Get a Quote](#)

HBAR Sci
\$599