

VII. a.

BrainPOP

Issued By Jeffery Meyer
Email jefferym@brainpop.com

Quote PDF (Created 12/6/2022 Date)
Quote Number 00060711
Account Name East Stroudsburg Area School District

Bill To Name East Stroudsburg Area School District
Bill To 50 VINE ST
EAST STROUDSBURG, PA 18301
USA

Description Budget Planning - Estimated full price 23-24 -
East Stroudsburg

Contact Name Accounts Payable Email ap@esasd.net

Please Note: If the person listed above is not the primary contact for your subscription, please let us know.

Product Name	Quantity	Product Description	Discount	Sales Price	Subtotal
School Combo 24/7	6.00	Unlimited 24-hour access to over one thousand standards-aligned topics to build background and deepen learning across your curriculum, SEL-themed topics, and embedded creative and computational projects on BrainPOP and BrainPOP Jr. Also includes access to BrainPOP Español and Français.	0.00%	USD 3,524.63	USD 21,147.78

Subtotal USD 21,147.78

Discount 0.00%

Grand Total USD 21,147.78

Provisions				
Access Recipient	Product	Access Start Date	Access End Date	Provision Price
Resica El School	School Combo 24/7	7/1/2023	6/30/2024	USD 3,524.63
Smithfield El School	School Combo 24/7	7/1/2023	6/30/2024	USD 3,524.63
Middle Smithfield El School	School Combo 24/7	7/1/2023	6/30/2024	USD 3,524.63
J M Hill El School	School Combo 24/7	7/1/2023	6/30/2024	USD 3,524.63
Bushkill El School	School Combo 24/7	7/1/2023	6/30/2024	USD 3,524.63
East Stroudsburg Elementary School	School Combo 24/7	7/1/2023	6/30/2024	USD 3,524.63

I accept the purchase of the items included herein. I understand that I will be invoiced for this order.

Name: _____ Authorized Signature: _____

Title: _____ Date: _____



VII. b.

Company Address 475 Half Day Road
Ste. 350
Lincolnshire, Illinois 60069
United States

Created Date 5/2/2023
Expiration Date 6/2/2023
Quote Number 00032743

Prepared By Jill Robbins
Email jrobbins@95percentgroup.com

Contact Name Tabitha Bradley

Parent Account East Stroudsburg Area School District
Bill To Name East Stroudsburg Area District-District Office
Bill To East Stroudsburg Area School District
ATTN: Accounts Payable
50 Vine Street
East Stroudsburg, Pennsylvania 18301
United States

Ship To Name East Stroudsburg Area District-District Office
Ship To East Stroudsburg Area School District
50 Vine Street
East Stroudsburg, Pennsylvania 18301
United States

Product Description	Product	Sales Price	Quantity	Total Price
95 Phonics Booster Bundle: Summer School 2nd Edition, Rising 3rd, Student Workbook Package, Pack of 5	PH4013.05.22	\$49.00	80.00	\$3,920.00
95 Phonics Booster Bundle: Summer School 2nd Edition, Rising 3rd, Teacher's Package	PH4013.01.22	\$175.00	1.00	\$175.00
95 Phonics Booster Bundle: Summer School 2nd Edition-Rising 3rd Grade, Digital Presentation, 6-month Rolling Subscription per Teacher	PH4013.08.22	\$49.00	29.00	\$1,421.00
Shipping & Handling - 10% of printed product	Z8910	\$409.50	1.00	\$409.50
	Subtotal	\$5,925.50		
	Total Price	\$5,925.50		
	Grand Total	\$5,925.50		

For your planning purposes, please note that effective July 1, 2023, prices for our products and services will increase. All orders for materials that are shipped by June 30 will be processed at current prices.

Limited 30 day return/replacement policy: All product returns require prior approval. Please contact orders@95percentgroup.com to receive authorization. 15% restocking fee on all printed Phonics Lesson Library products. 10% on all other printed products. NO returns on opened shrink wrapped product. Damaged materials (stamped, written on, damaged from usage by client) will not be accepted. All sales are final for 95 Phonics Booster Bundle: Summer School Edition. NO refunds, exchanges or returns.



Quotation

Quote Date: 04/30/2023
 Customer No.: 03008

Quote No.: 47493
 Salesperson: Mike Hartzell Service

Quote To: East Stroudsburg Area School District
 50 Vine Street
 East Stroudsburg, PA 18301

Ship To: East Stroudsburg Area School District
 50 Vine Street
 East Stroudsburg, PA 18301

Ship Via	F.O.B.	Terms		
BEST WAY	Origin	Net 30		
Item Number	Description	Quantity	Unit Price	Amount
HT-EXC100	Binocular student microscope	30	595.00	17850.00
	LED illumination			
	Coaxial focus assembly			
	10X 18 eyepieces, one with pointer			
	✓ 4X, 10X, 40X, and 100X Oil Achromat objectives			
	Condenser with aperture			
	Rackless mechanical stage w/scale			
	Carry handle			
	Rechargeable AA 1300mAh Batteries			
	Discount 10%			-1785.00

Quotation valid for 30 days from issue date

Credit card payments in excess of \$1000 are subject to 3.5% transaction fee.

QUOTE SUBTOTAL:	16065.00
FREIGHT CHARGES:	400.00
QUOTE TOTAL:	16465.00

Signature: Mike Hartzell Service

Hitech Instruments, Inc.
 925 Main Street, Suite 200
 Pennsburg, PA 18073

www.hitechinstruments.com

Phone: (215)-679-3929
 Fax: (215)-679-3629
 Email: sales@hitechinstruments.com



ACCU-SCOPE®

MICROSCOPY & IMAGING SOLUTIONS

EXC-100 Series
Student Microscopes



EXC-103 trinocular
microscope

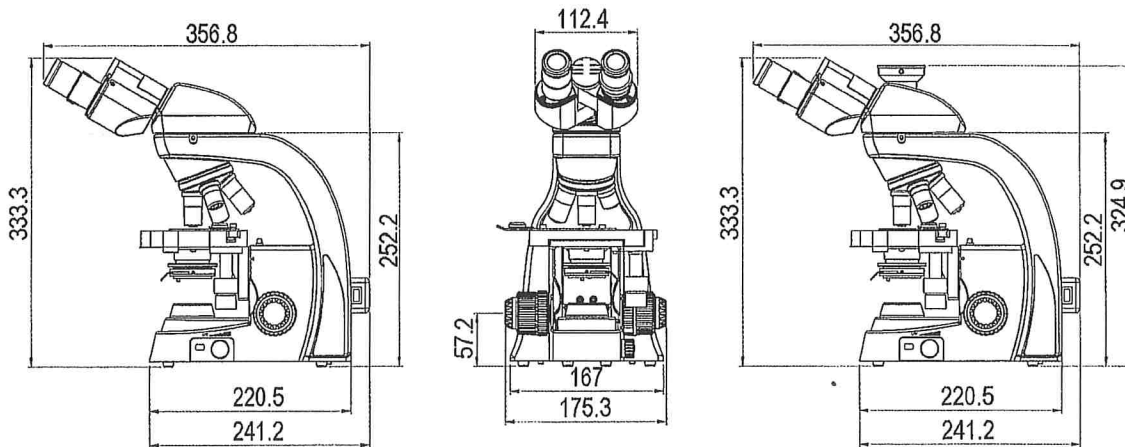
Empowering Discovery. Advancing Results.

EXC-100 Student Microscopes

SPECIFICATIONS

Viewing Head	EXC-100: Binocular, inclined 30°, rotatable 360°, adjustable interpupillary distance 50-75mm, right diopter adjustment; EXC-103: Trinocular, inclined 30°, rotatable 360°, fixed 50/50 light split (eyepieces/photo port), adjustable interpupillary distance 50-75mm, right diopter adjustment
Optical System	DIN Optical System, f = 160mm
Objectives	DIN Achromat 4x, 10x, 40xR* and 100xR* oil objectives (* spring loaded)
Eyeiece	WF10x eyepiece, 18mm field of view, pointer in one eyepiece
Nosepiece	Rear-facing, 4-position nosepiece with positive click stops to ensure objective alignment
Focusing System	Coaxial coarse and fine focus, focus tension adjustment; focus travel stop
Stage	Double-layer mechanical stage, right side XY controllers, 115x125mm, slide holder
Condenser	N.A. 1.25 condenser, iris diaphragm, filter holder
Illumination	Variable and rechargeable* 0.2W LED illuminator (*requires three AA 1300mAh 1.2V NIMH batteries, included)
Stand	Cast aluminum alloy with built-in carry handle and power cord wrap
Power	Universal power supply (built-in); input 100-240VAC, output 5V 1A
Accessories	Instruction manual
Camera Adapters (EXC-103 only)	Optional: 0.35x, 0.5x, 0.65x and 1.0x C-mount camera adapters; Photo tube (<i>requires camera adapter, not included</i>)
Warranty	5-year limited warranty for parts, labor and electronic components; 1-year warranty on LED bulb

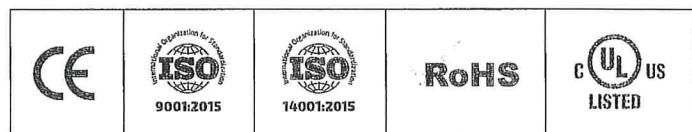
EXC-100 Series Dimensional Drawings



Dimensions in mm



Copyright © 2023 ACCU-SCOPE Inc. All rights reserved. Printed in the U.S.A. ACCU-SCOPE Inc. reserves the right to change and improve specifications without notice due to technological or manufacturing advances.



v031523

VII d

Date of Proposal: 10/14/2022

Proposal Expiration Date: 6/30/2023



Houghton Mifflin Harcourt

Proposal #008537393

Prepared For

East Stroudsburg Area Sch Dist

50 Vine St
E Stroudsburg PA 18301

Attention:

Tamara Cykosky
tamara-cykosky@esasd.net

For the Purchase of:

HMH Go Math 2015

Prepared By
Sales Historical Transactions Default
nicole.kocemba@hnhco.com

Please submit this proposal with your purchase order.

Purchase orders or duly executed service agreements for **Professional Services** purchased, must be submitted at least 30 days before the service event date.

For greater detail, the complete Terms of Purchases may be reviewed here:
<http://www.hnhco.com/common/terms-conditions>

Send **Check Payments** to:
Houghton Mifflin Harcourt Publishing Company
14046 Collections Center Drive
Chicago, IL 60693

Attention:
Tamara Cykosky
tamara-cykosky@esasd.net

Send **Orders** to:
orders@hnhco.com
FAX: 800-269-5232

HMH Confidential and Proprietary

Date of Proposal: 10/14/2022

Proposal for East Stroudsburg Area Sch Dist

Expiration Date: 6/30/2023

ISBN	Title	Price	Quantity	Value of All Materials
Grade K				
Student				
1596773 9780544370517	2015 Go Math! Interactive Student Edition with Personal Math Trainer Online 1 Year Digital Grade K End Date: June 30, 2024	\$31.85	444	\$14,141.40
Total for Student				
Teacher				
1592879 9780544389298	2015 Go Math! Teacher Digital Management Center 1 Year Digital Grade K End Date: June 30, 2024	\$195.20	30	\$5,856.00
Total for Teacher				
Total for Grade K		\$19,997.40		

Grade 1				
Student				
1596774 9780544435414	2015 Go Math! Interactive Student Edition with Personal Math Trainer Online 1 Year Digital Grade 1 End Date: June 30, 2024	\$31.85	444	\$14,141.40
Total for Student				
Teacher				
1592880 9780544389236	2015 Go Math! Teacher Digital Management Center 1 Year Digital Grade 1 End Date: June 30, 2024	\$195.20	32	\$6,246.40
Total for Teacher				
Total for Grade 1		\$20,387.80		

Grade 2				
Student				
1596775 9780544372092	2015 Go Math! Interactive Student Edition with Personal Math Trainer Online 1 Year Digital Grade 2 End Date: June 30, 2024	\$31.85	521	\$16,593.85
Total for Student				
Teacher				
1592881 9780544389243	2015 Go Math! Teacher Digital Management Center 1 Year Digital Grade 2 End Date: June 30, 2024	\$195.20	30	\$5,856.00
Total for Teacher				
Total for Grade 2		\$22,449.85		

Grade 3				
Student				

Send **Check Payments** to:
Houghton Mifflin Harcourt Publishing Company
14046 Collections Center Drive
Chicago, IL 60693

Attention:
Tamara Cykosky
tamara-cykosky@esasd.net

Send **Orders** to:
orders@hnhco.com
FAX: 800-269-5232

HMH Confidential and Proprietary

Date of Proposal: 10/14/2022

Proposal for East Stroudsburg Area Sch Dist

Expiration Date: 6/30/2023

ISBN	Title	Price	Quantity	Value of All Materials
1596776 9780544370500	2015 Go Math! Interactive Student Edition with Personal Math Trainer Online 1 Year Digital Grade 3 End Date: June 30, 2024	\$31.85	437	\$13,918.45
Total for Student				
Teacher				
1592882 9780544389250	2015 Go Math! Teacher Digital Management Center 1 Year Digital Grade 3 End Date: June 30, 2024	\$195.20	30	\$5,856.00
Total for Teacher				

Total for Grade 3 **\$19,774.45**

Grade 4
Student

1596777 9780544372139	2015 Go Math! Interactive Student Edition with Personal Math Trainer Online 1 Year Digital Grade 4 End Date: June 30, 2024	\$31.85	481	\$15,319.85
Total for Student				
Teacher				
1592903 9780544389267	2015 Go Math! Teacher Digital Management Center 1 Year Digital Grade 4 End Date: June 30, 2024	\$195.20	31	\$6,051.20
Total for Teacher				

Total for Grade 4 **\$21,371.05**

Grade 5
Student

1596778 9780544438378	2015 Go Math! Interactive Student Edition with Personal Math Trainer Online 1 Year Digital Grade 5 End Date: June 30, 2024	\$31.85	493	\$15,702.05
Total for Student				
Teacher				
1592904 9780544389274	2015 Go Math! Teacher Digital Management Center 1 Year Digital Grade 5 End Date: June 30, 2024	\$195.20	32	\$6,246.40
Total for Teacher				

Total for Grade 5 **\$21,948.45**

Send **Check Payments** to:
Houghton Mifflin Harcourt Publishing Company
14046 Collections Center Drive
Chicago, IL 60693

Attention:
Tamara Cykosky
tamara-cykosky@esasd.net

Send **Orders** to:
orders@hmc.com
FAX: 800-269-5232

HMH Confidential and Proprietary

Date of Proposal: 10/14/2022

Proposal for
East Stroudsburg Area Sch Dist

Expiration Date: 6/30/2023

ISBN	Title	Price	Quantity	Value of All Materials
------	-------	-------	----------	------------------------

<i>Subtotal Purchase Amount:</i>			\$125,929.00
<i>Shipping & Handling:</i>			\$0.00

Total Cost of Proposal (PO Amount):			\$125,929.00
--	--	--	---------------------

****Please add proper sales tax to your order****

Send **Check Payments** to:
Houghton Mifflin Harcourt Publishing Company
14046 Collections Center Drive
Chicago, IL 60693

Attention:
Tamara Cykosky
tamara-cykosky@esasd.net

Send **Orders** to:
orders@hnhco.com
FAX: 800-269-5232

HMH Confidential and Proprietary

008537393

Sold:0000230851 Shlp:0000230851

Page 4 of 5

Please submit this form with your purchase order

Proposal for
East Stroudsburg Area Sch Dist

Total Cost of Proposal (PO Amount): \$125,929.00

Thank you for considering HMH as your partner. We are committed to providing an excellent experience and delivering ongoing, high-quality service to our customers. To meet these goals, we want to ensure you are aware of the below Terms of Purchase. These terms help us process your order quickly, efficiently, and accurately, ensuring successful delivery and implementation of our solutions.

- Please return this cost proposal with your signed purchase order that matches product, prices and shipping charges.
- Provide the exact address for *delivery* of print materials. The shipping address may be your district warehouse or individual school sites, but it is essential that this is accurate.
- Please supply the name of each important district point of contact for all aspects of the solution including their direct contact information (email/phone):
 - o Point of Contact for Print materials
 - o Point of Contact for Digital materials
 - o Point of Contact for Scheduling Professional Development
- Please confirm that we have the correct 'Ship to' and 'Sold to' information on the cost proposal.

Ship to: East Stroudsburg Area Schl Dist 50 Vine St East Stroudsburg, PA 18301-2150	Sold to: East Stroudsburg Area Schl Dist 50 Vine St East Stroudsburg, PA 18301-2150
---	---
- Please provide funding start and end dates.
- Please note that all products and services will be billed upon the processing of your purchase order.
- Our payment terms are 30 days from the Invoice date.
- Print subscription material quantities may be adjusted across grades for like products, to accommodate enrollment fluctuations, quantities cannot be adjusted between different programs or copyrights.
- Our shipping terms are FOB shipping point. The shipping term for your proposal is Shipping Point.
- Any proposed shipping or tax amount provided on this proposal, is based on the Ship To account location quoted within.
- If the location of your delivery changes, please include the proper sales tax and shipping charges for that location in the applicable Purchase Order
- Should any of these Terms of Sale conflict with any preprinted terms on your purchase order, the HMH terms of service shall apply.

Thank you in advance for supplying us with the necessary information at time of purchase. Our goal is to ensure your success throughout the duration of this agreement, which starts with a highly successful delivery of our solution.

For greater detail, the complete Terms of Purchase may be reviewed here: <http://www.hmhco.com/common/terms-conditions>

Date of Proposal: 10/14/2022

Proposal Expiration Date: 6/30/2023



Houghton Mifflin Harcourt

Send **Check Payments** to:
 Houghton Mifflin Harcourt Publishing Company
 14046 Collections Center Drive
 Chicago, IL 60693

Attention:
 Tamara Cykosky
 tamara-cykosky@esasd.net

Send **Orders** to:
 orders@hnhco.com
 FAX: 800-269-5232

HMH Confidential and Proprietary

008537393

Sold:0000230851 Ship:0000230851

Page 5 of 5

Please submit this form with your purchase order



February 2, 2023

Proposal for the East Stroudsburg Area School District K-5 Math Pilot

To effectively review McGraw Hill's Math offerings for core instruction, intervention, and digital solutions, we propose the following pilot plan to the East Stroudsburg Area School District for the 2023-2024 school year:

-To pilot our digital solutions **Redbird** and **ALEKS** in grades K-5, purchase approximately 540 one-year student and teacher licenses and three sessions of virtual professional development.

-To pilot our intervention resource **NumberWorlds**, purchase one kit for each level B-G (grades K-5). McGraw Hill will provide student materials for up to fifteen students per level to support the kits.

-To pilot our core program **Reveal Math**, materials for ninety students and three teachers at each grade level K-5 will be provided for one year. Training sessions of Reveal Math for the pilot teachers will be provided at no charge and support will be provided in an on-going basis throughout the 2023-2024 school year.

Total cost is not to exceed \$15,000.

Kristy Anelli K-5 Sales Representative Kristy.aneli@mheducation.com

Deborah Bricketto National Achievement Specialist Deborah.bricketto@mheducation.com

Stacy Peters Regional Direct of Sales stacy.peters@mheducation.com